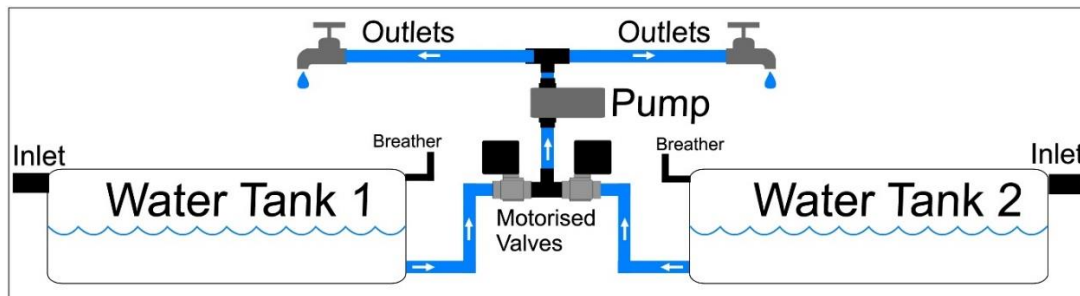


### Water Hose Connections

- Fit the valves to the hose line between the tank and where the hoses join in to one line before the pump
- **Please Note:** A "T" piece is normally the best fitting for this; One valve required for each tank; Quality stainless steel valve approved for drinking water (fittings not included)



### Wiring Code (refer diagram on Page 2)

- RED wire to positive
- BLUE wire to negative
- YELLOW wire to positive, tank switch is fitted to this wire
- Switch ON - the valve will open, then automatically power off when in place
- Switch OFF - the valve will close, then automatically power off when in place

### Wiring Diagram Options (refer diagram on Page 2)

- Normal ON-OFF switches are all that is required - 3 Amp minimum

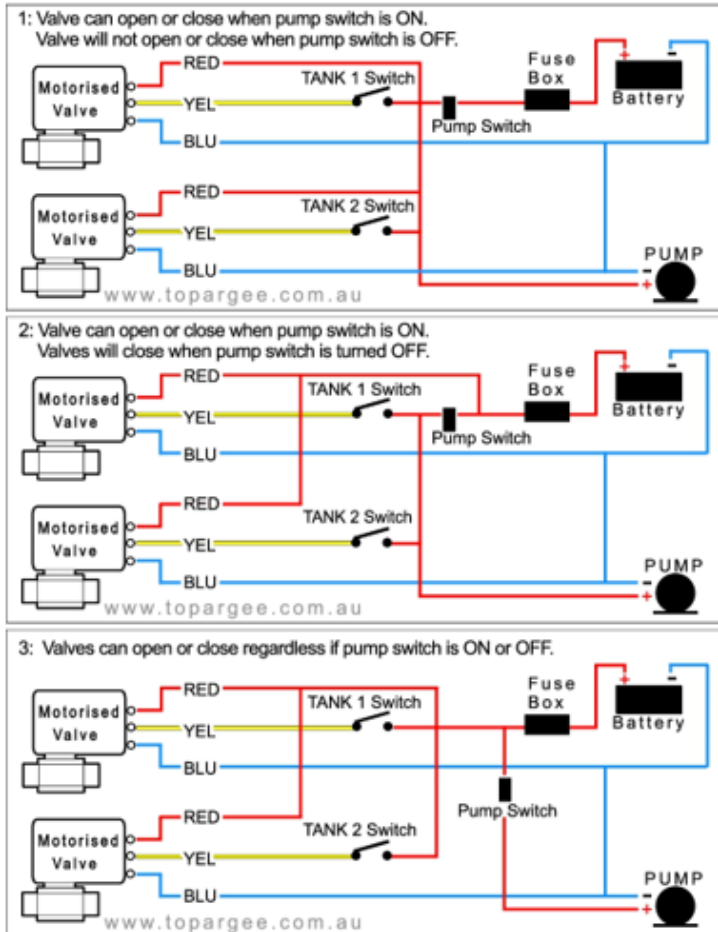
#### Note:

- We recommend option 2 if you are having problems with water draining back into the tank when travelling
- The valves will automatically close when the pump switch is turned off, so water cannot drain back into the tank
- A non-return valve is then not required

### Manual Override

- Power **MUST** be turned OFF
- Pull knob out about 3 mm and turn clockwise to SHUT and anticlockwise to OPEN
- Indicator will show valve position
- Remember knob **MUST** be pushed back in when finished

Wiring Diagram



**Specifications:**  
**Connection:** 1/2" BSP Female.  
**Flow:** 14.5 mm inside diameter, no restriction to flow.  
**Maximum working pressure:** 1.0 MPa.  
**Rated voltage:** 9-35 vdc.  
**Current:** 500 mA only while opening or closing.  
**Open/close time:** 5 Sec.  
**Life time:** 70,000 times.  
**Valve Body material:** 304 Stainless steel.  
**Liquid temperature:** 2c-90c No freezing.  
**Manual override:** Yes.  
**Indicator:** Yes.  
**Protection class:** IP67.  
**Certification:** suitable for drinking water. Contains no lead.

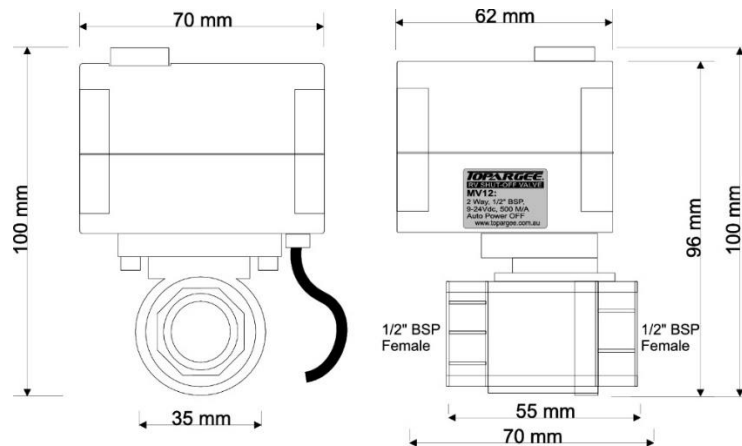
We recommend option 2 if you are having problems with water draining back into the tank when travelling. The valves will automatically close when the pump switch is turned off, so water can not drain back into the tank. This normally means there is no need for a non-return valve in your system.

**Manual Override:**  
**Power MUST to be turned OFF.**  
 Pull knob out about 3 mm and turn clockwise to SHUT and anticlockwise to OPEN. Indicator will show valve position.  
**Remember knob MUST be pushed back in when finished.**

**Note:**  
 We recommend some form of protection from stones if fitted under the RV.  
 If case is opened you will void the waterproof warranty.

See website for more information.

Dimensions



**Example of Valves Fitted to Jayco Silverline Chassis**



**Additional Information**

- We recommend some form of protection from stones if fitted under the RV
- If case is opened, the waterproof warranty will be void

**Please Note:** Due to continuous product improvement, specifications are subject to change without notice.

**Contact Us:** [sales@topargee.com.au](mailto:sales@topargee.com.au) / 0418 767 967